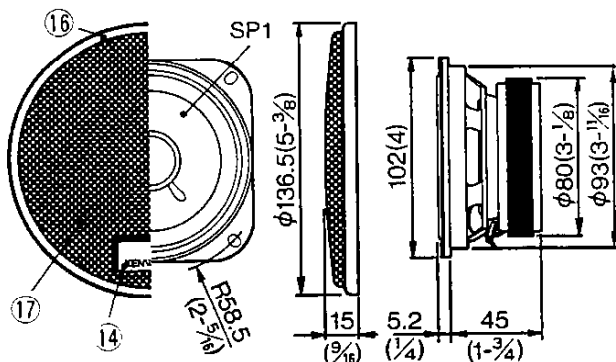


COMPONENT SPEAKER SYSTEM

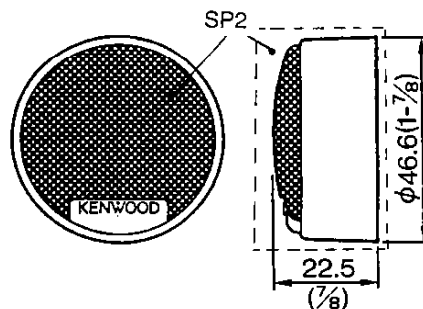
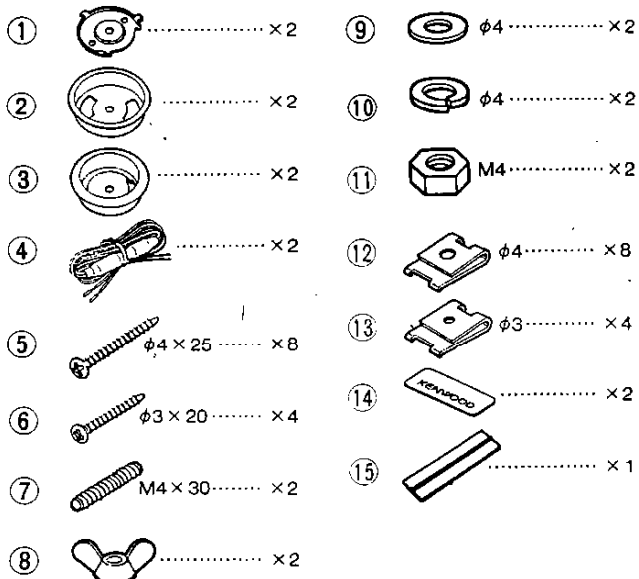
KFC-P304**SERVICE MANUAL****KENWOOD**© 1994-4 PRINTED IN JAPAN
B51-6705-00(B) 1276**EXTERNAL VIEW**

•Midrange



•Tweeter

Unit : mm(Inch)

**PARTS INCLUDED****PARTS LIST**

★ New Parts

Parts without **Parts No.** are not supplied.Les articles non mentionnés dans le **Parts No.** ne sont pas fournis.Teile ohne **Parts No.** werden nicht geliefert.

Ref No.	New Parts	Parts No.	Description
①		J21-8194-08	Hardware (A)
②		J21-8195-08	Hardware (B)
③		J21-8193-08	Bracket
④		L75-2050-08	Network
⑤~⑬		N99-1277-08	Screw set
⑭		B43-0934-08	Badge set
⑮		J69-0117-08	Viscous tape
⑯		B06-0445-08	Grille
⑰	★	F09-1092-08	Protector
SP1	★	T06-0325-08	Speaker (Midrange)
SP2		T03-0467-08	Speaker ass'y (Tweeter)

SPECIFICATION

Midrange	100mm(4in) Sheet P.P. Cone Type 227g(8oz) Magnet
Tweeter	25mm(1in) P.P.T.A. Balanced Dome Type
Peak Power	150Watts: When High Pass Filter (applied to Midrange) is in use 60Watts: Without High Pass Filter
Frequency Response	65Hz~20,000Hz
Sensitivity	89dB/W at 1m
Impedance	4 Ohms
Weight Per Speaker With Grille	
Midrange	1,400g(3.1lb)/Pair
Tweeter	140g (5 oz)/Pair
Passive Crossover Network	
Crossover Frequency	6,000Hz

KENWOOD follows a policy of continuous advancements in development. For this reason specifications may be changed without notice.